

6

5

4

3

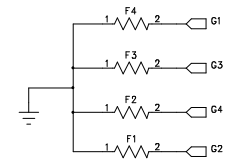
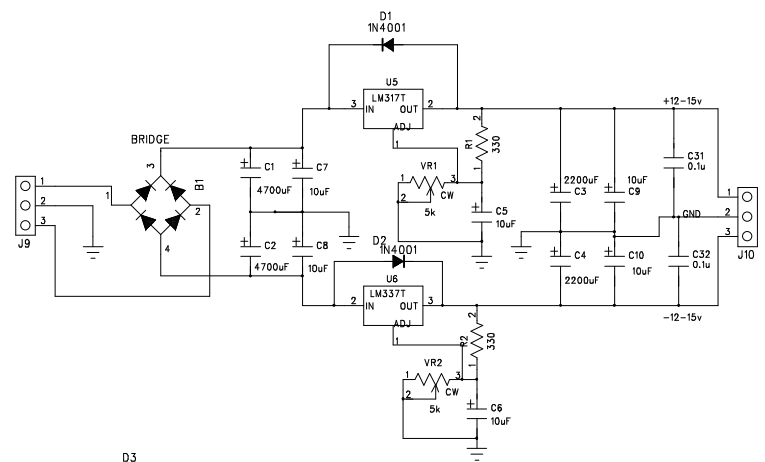
2

1

REVISION RECORD			
LTR	ECO NO:	APPROVED:	DATE:

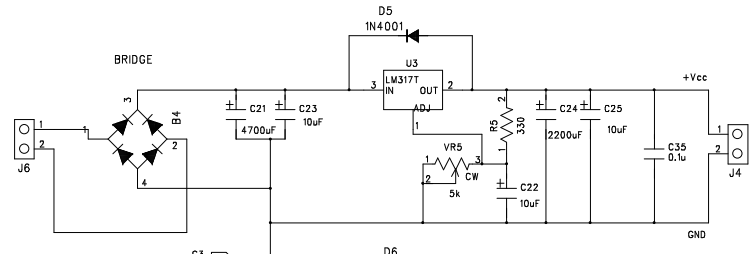
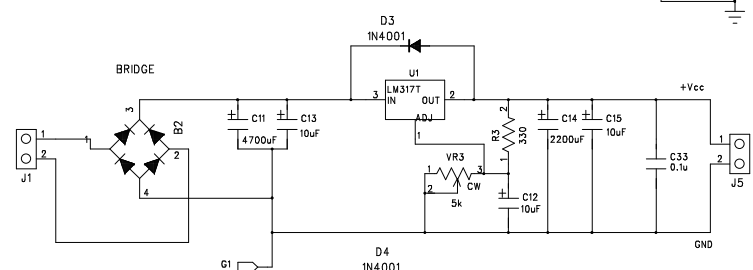
D

D



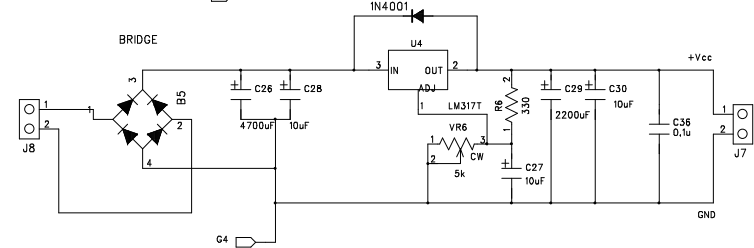
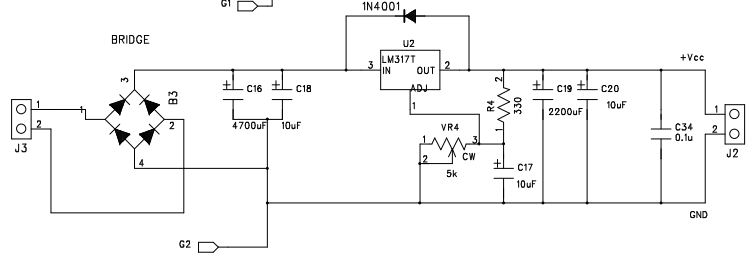
C

C



B

B



AW-R1

www.audioworkshop.com.hk

A

A

COMPANY:			
TITLE:			
DRAWN:	DATED:	CODE:	SIZE:
CHECKED:	DATED:	DRAWING NO:	REV:
QUALITY CONTROL:	DATED:		
RELEASED:	DATED:	SCALE:	SHEET: OF